



Highlights

- Position your keyboard for maximum comfort and productivity
- Arm extends keyboard up to 35" (89 cm); 13" (33 cm) height adjustment
- Ergonomic back-tilt keyboard tray ensures wrists remain in a neutral position during data entry—avoid repetitive-stress injuries while increasing comfort and productivity
- Creates a complete workstation when paired with the LX LCD Arm
- Easy to use—simple installation and effortless operation
- Mouse tray slides out to left or right, depending on user preference
- Ideal for space-constrained spaces—folds to within 3.5" (9 cm) of wall in storage position
- Integrated cable management
- Pair it with an LX LCD Arm to create a complete workstation
- Five-year warranty

Ergotron®

LX Wall Mount Keyboard Arm



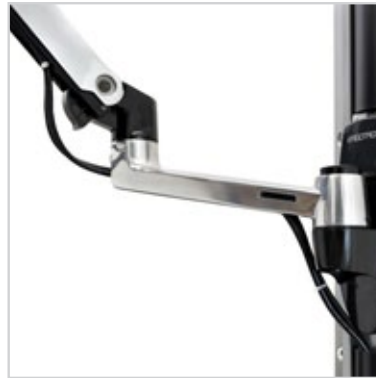
Durable polished aluminum construction!

Effortlessly position a keyboard to the most comfortable typing position, seated or standing. The LX Keyboard Arm mounts directly to any wall while providing vertical and side-to-side motion. When not in use, simply push the keyboard and fold it up to within 3.5" (9 cm) of the wall. This is the perfect accessory for space-constrained areas. Pair it with an LX LCD Arm to create a complete workstation.

Ergotron's LX Keyboard Arm includes Constant Force (CF) patented lift-and-pivot motion technology. With a light touch of your hand you can easily lift, swing, tilt or turn your keyboard.

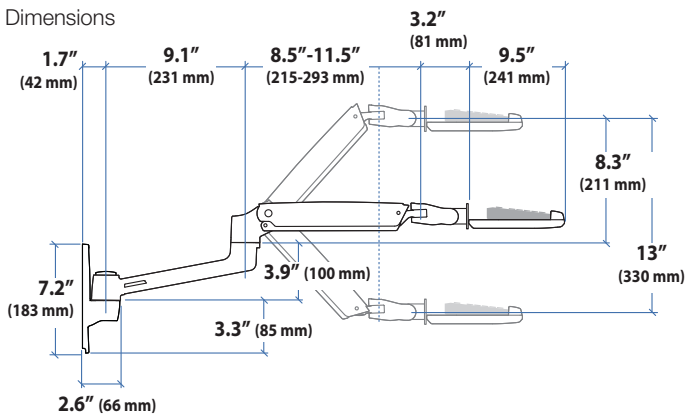
- Increase data-entry comfort—help reduce arm, shoulder and wrist strain
- Reposition your keyboard with just a touch
- There when you need it, gone when you don't—folds up and back
- Excellent price performance
- Companion product to LX Wall Mount LCD Arm—same sleek design
- Arm extends keyboard up to 35" (89 cm)

- LX Keyboard Arm can be used without its extension
- Mounting options: attaches directly to sturdy vertical surfaces. Where applicable, install to wood stud. Also attaches to Wall Track using bracket 97-091 (order separately)
- Fasteners for direct attachment to wood/metal studs or concrete surface are not included—customer supplied
- Base includes theft deterrent anchor holes for cable locks



Keyboard Size	Keyboard Weight	Lift	Tilt	Pan	Rotation	VESA
see below	≤ 5 lbs ≤ 2,2 kg	13" 33 cm	80°	360°	—	—

Dimensions



Product Name	LX Keyboard Arm
Part Number	45-246-026 (polished aluminum)
Product Includes	LX arm, extension, keyboard tray, mouse tray, wall mount base, mouse holder, wrist rest
Shipping Dimensions	20.75"H x 11.25"W x 7.5"D (53 x 29 x 19 cm)
Shipping Weight	9.7 lbs (4,4 kg)
Warranty	5 years
Weight Capacity	5 lbs (2,2 kg)
Keyboard Size	Maximum: 17.5" x 10.1" (44,5 x 25,7 cm)

© 2010 Ergotron, Inc. rev. 03/01/2010 e-05-068 Content is subject to change without notification.

Americas Sales and Corporate Headquarters

St. Paul, MN USA
 (800) 888-8458
 +1-651-681-7600
 www.ergotron.com
 sales@ergotron.com

EMEA Sales

Amersfoort, The Netherlands
 +31 33 45 45 600
 www.ergotron.com
 info.eu@ergotron.com

APAC Sales

Tokyo, Japan
 www.ergotron.com
 apaccustomerservice@ergotron.com

Worldwide OEM Sales

www.ergotron.com
 info.oem@ergotron.com

